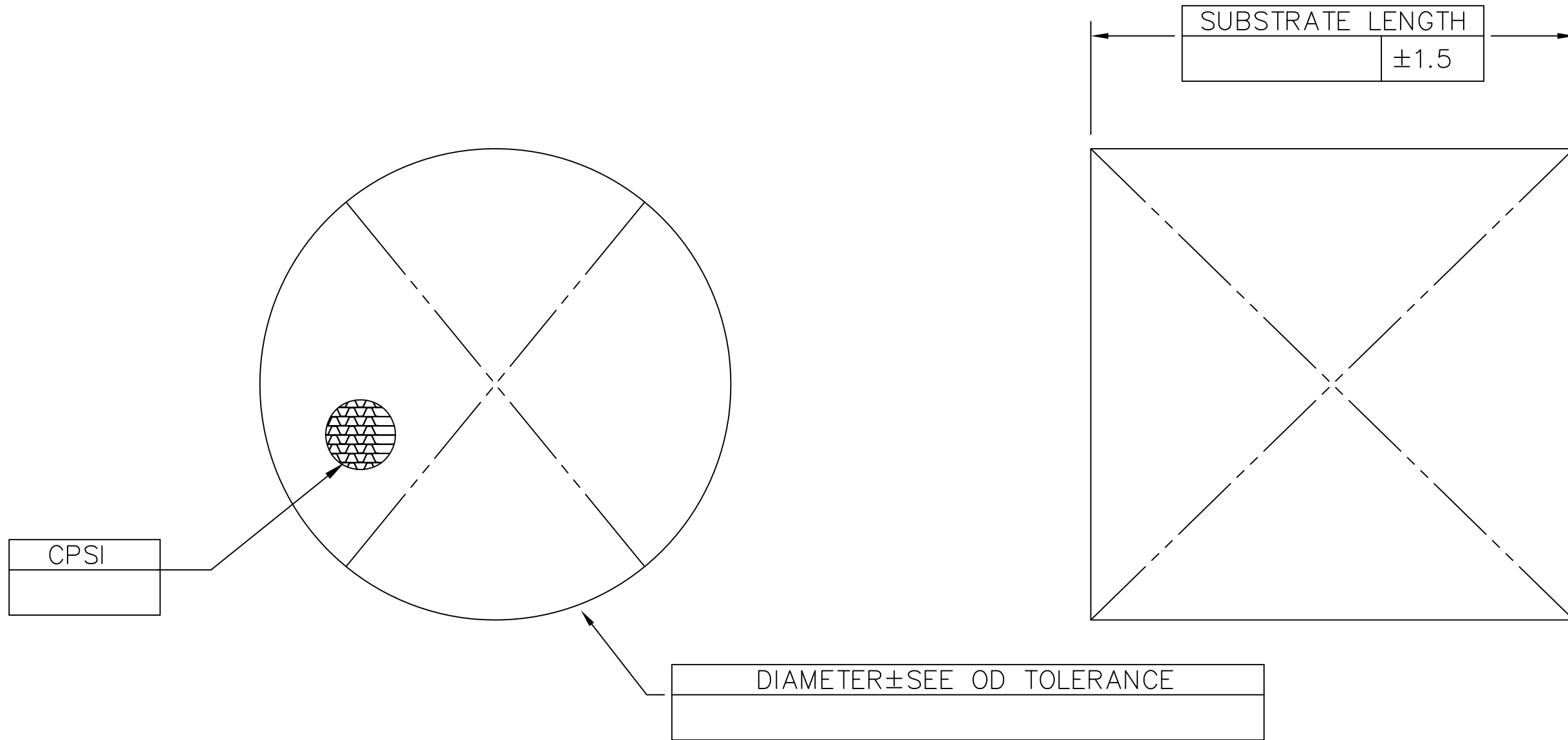



CUSTOMER APPROVAL: _____



PACKAGING: EXTERIOR PACKAGING MUST INCLUDE LABEL WITH PART#, QTY & BRAZE LOT#
 PALLETS – LAYER OF CARDBOARD BTW FACES
 UPS/FedEx BOXES – ALL PARTS IN INDIVIDUAL BOX OR BUBBLE WRAP
 SAMPLING INSPECTION PLAN: C=0
 UNEVEN FOILS: 1.3mm MAX BTW EDGE OF LAYERS
 DAMAGED CELLS/FACE DAMAGE: MAX 3% TOTAL FACIAL AREA
 DEFECTS AND CELL DENSITY DOES NOT APPLY TO 6.4mm PERIMETER BAND AND CENTER 12.7 DIAMETER
 FOILS: .05mm THICK
 CELL DENSITY: $\pm 10\%$ ($2 / (\text{PEAK TO PEAK} \times \text{HEIGHT} = \text{CPSI})$)
 DELAMINATION: BETWEEN SUBSTRATE AND SUBSTRATE NO GREATER THAN CELL HEIGHT
 ALL DIMENSIONS IN mm

| OD TOLERANCE | |
|-----------------|-----------|
| SIZE (ϕ) | DIAMETER |
| > 63.4 | ± 1.1 |
| 63.5–368 | ± 1.4 |
| 369–596 | ± 1.7 |
| 597 < | ± 2.5 |

| | | | |
|---|----------|-----------------|----------|
|  PERFORMANCE INDUSTRIES | | | |
| SCALE: FULL | DATE: | SHEET 1 OF 1 | |
| DRAWN BY: FWF | APP. BY: | REVISED: | |
| DESIGN FOR: | | PART NAME: | |
| | | PART NO: | |
| TITLE: ROUND SUBSTRATE | | DRAWING NO: PI- | TOOL NO: |